



445 west · erie

SUITE 207 | CHICAGO, IL

RSF | 1,380 SQ. FT

OCCUPANCY | IMMEDIATE

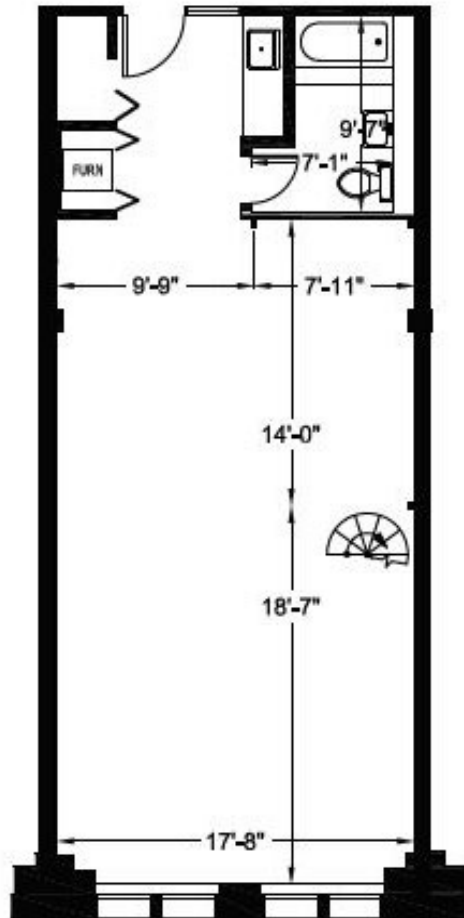


This newly renovated Bi-Level Timber Loft unit provides an abundance of natural light. This space has an open layout and is move-in ready. The building's common areas have recently been updated, including the lobby, corridors, and restrooms.

JOSH KELLERMAN
REAL ESTATE BROKER

E | JKELLERMAN@A-M-INC.COM
M | 312-546-4888

 **ALVAREZ & MARSAL**
PROPERTY INVESTMENTS



MEZZANINE

